

UK

ENSURE THAT THESE INSTRUCTIONS ARE LEFT FOR  
THE USER



# MURELLE HE 50 R (M)

## User instructions



Please read the Important Notice within  
this guide regarding your boiler warranty



## **IMPORTANT NOTICE**

For the first year all of our appliances are protected by our manufacturer's guarantee which covers both parts and labour.

As you would expect from Sime Ltd, it is our aim to provide our valued customers with the best in after sales and service.

To take advantage of any extended warranty offered, all you have to do is to adhere to these 3 simple conditions:

- The installation must be carried out to Manufacturers Standards by a Gas Safe Registered Engineer, and recorded in the installation manual.
- The appliance must be registered with both Sime Ltd and Gas Safe within 30 days of installation.
- The appliance must be serviced annually, by either Sime Ltd or a Gas Safe registered engineer- ensuring that the service record in the installation manual is completed.

Failure to comply with the above will result in only the 12 month warranty being offered.

In the absence of any proof of purchase, the 12 month warranty period will commence from the date of manufacture of the boiler as shown on the appliance data plate.

## **SAFE HANDLING**

This boiler may require 2 or more operatives to move it into its installation site, remove it from its packaging and during movement into its installation location. Manoeuvring the boiler may include the use of a sack truck and involve lifting pushing and pulling.

Caution should be exercised during these operations.

Operatives should be knowledgeable in handling techniques when performing these tasks and the following precautions should be considered:

- Grip the boiler at the base
- Be physically capable
- Use personal protective equipment as appropriate e.g. gloves, safety footwear.

During all manoeuvres and handling actions, every attempt should be made to ensure the following unless unavoidable and/or the weight is light.

- Keep back straight
- Avoid twisting at the waist
- Always grip with the palm of the hand
- Keep load as close to the body as possible
- Always use assistance

### **WARNING**

Caution should be exercised when performing any work on this appliance.

Protective gloves and safety glasses are recommended.

- Avoid direct contact with sharp edges.
- Avoid contact with any hot surfaces.

### **NOTICE**

Please be aware that due to the wet testing of the appliance, there may be some residual water in the hydraulic circuit.

- Protect any surfaces, carpets or floorings.
- Use a suitable container to catch any water that escape when removing the protective caps from the connections.



*Murelle HE 50 R Gas Council number 41-283-27*  
*Murelle HE 50 R M: Gas Council number 41-283-31*

**CONTENTS**

1	LIGHTING AND OPERATION .....	pag.	4
2	ERRORS AND SOLUTIONS.....	pag.	5

**VERY IMPORTANT!**

**PLEASE MAKE SURE YOUR checklist in the  
installation guide, IS FILLED IN CORRECTLY.  
ALL Gas Safe Register INSTALLERS CARRY A ID CARD.  
The registration number SHOULD BE  
RECORDED on the check list.  
YOU CAN CHECK YOUR INSTALLER IS Gas Safe  
REGISTERED BY CALLING ON 0800 408 5577**

## LIGHTING AND OPERATION

### BOILER IGNITION (fig. 24)

The first ignition of the boiler must be carried out by qualified technical personnel.

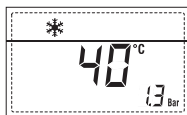
Successively, if it is necessary to start up the boiler again, adhere strictly to the following instructions: open the gas tap to allow the flow of the fuel and move the main switch of the system to "ON".

When fuel is fed to the boiler, a sequence of checks will be carried out and the display shows the normal condition of the functioning, always indicating the pressure of the system.

If the blue luminous bar is on, this indicates the presence of voltage.

Press the key of the controls (pos. 2) to activate the winter function. The display will be as shown in the figure.

**N.B.: The first key press acts only to**



**illuminate the display, successive key presses will be recognised to alter the mode or value.**

### REGULATION OF THE WATER TEMPERATURE FOR HEATING (fig. 25)

To set the temperature of the water for heating, press the key of the controls [2]. The first time the key is pressed, the SET of heating circuit 1 is selected. The second time it is pressed, the SET of heating circuit 2 is selected. The display will be as shown in the figure. Change the values with the key and .

Standard visualisation will return to the display by pressing the key again, or after 10 seconds if no key is pressed.

#### Regulation of the external sensor (fig. 25/a)

If an external sensor is installed, the value of the output temperature is automatically chosen by the system, which quickly adjusts the environmental temperature on the basis of the external temperature.

If you wish to change the value of the temperature, increasing or decreasing that calculated automatically by the electronic card, proceed as indicated in the preceding paragraph.

The level of various correction of a value of temperature proportional calculated. The display will be as shown in fig. 25/a.

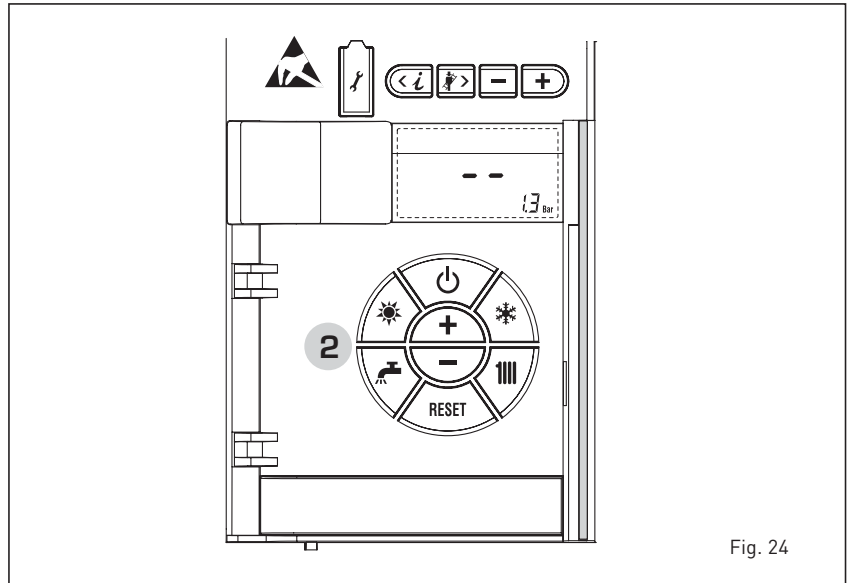


Fig. 24

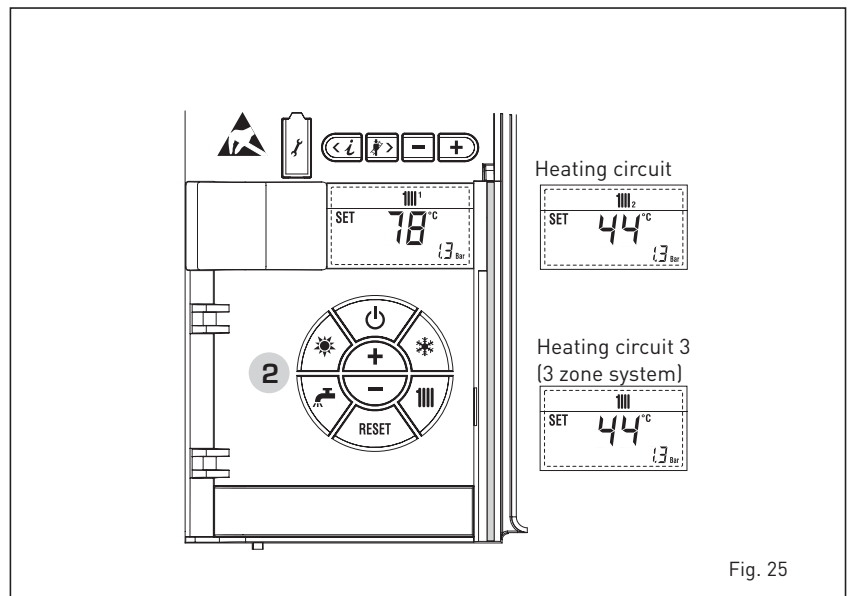


Fig. 25

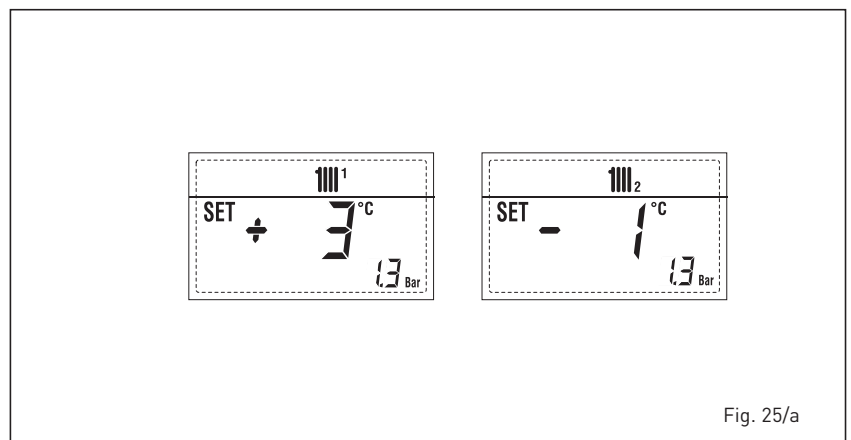


Fig. 25/a

### TO SWITCH OFF THE BOILER (fig. 24)

In the case of a short absence, press the key of the controls (pos. 2). The display will be as shown in the fig. 24.

In this way, leaving the electricity and the fuel supply connected, the boiler is protected from frost and from the pump becoming jammed. If the boiler is not used for a prolonged period, it is advisable

to disconnect the electricity supply, by switching off the main switch of the system, and to close the gas isolation valve and, if low temperatures are expected, to completely empty the hydraulic circuits to avoid pipes being damaged by frost.

## ERRORS AND SOLUTIONS

When there is a functioning error, the display shows an alarm and the blue luminous bar becomes red.

Descriptions of the errors with the relative alarms and solutions are given below:

### - ALARM 02 (fig. 27/a)

If the water pressure detected is lower than 0.5 bar, the boiler will stop and the display will show "ALL 02".

Using the external filling device until the pressure indicated by the display is between 1 and 1.5 bars.

**If it is necessary to repeat the system refilling procedure, it is advisable to contact qualified technical personnel to check the seal of the heating system (to check whether there are any leaks).**

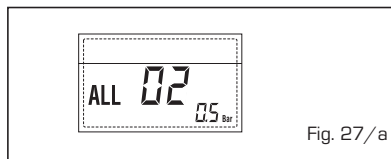


Fig. 27/a

### - ALL 03

**Request assistance from qualified technical personnel.**

### - ALL 05

**Request assistance from qualified technical personnel.**

### - ALL 06 (fig. 27/c)

Press the key  of the controls (2) to re-start the boiler.

**If the error persists, request assistance from qualified technical personnel.**

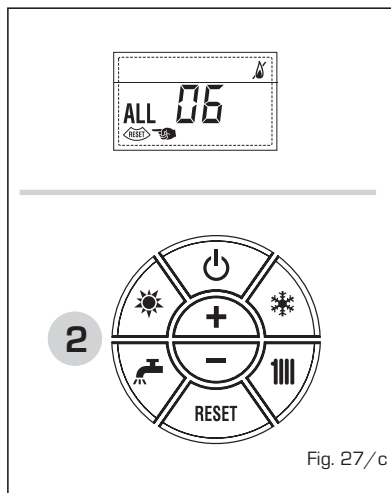


Fig. 27/c

### - ALL 07 (fig. 27/d)

Press the key  of the controls (2) to re-start the boiler.

**If the anomaly persists, request assistance from qualified technical personnel.**

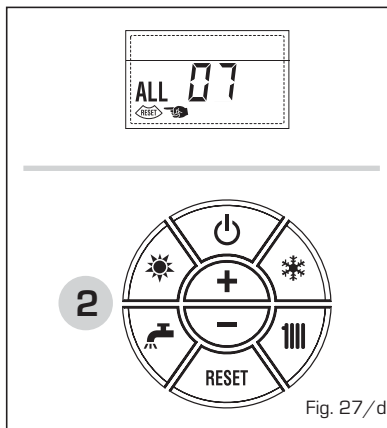


Fig. 27/d

### - From "ALL 08" to "ALL 10"

**Request assistance from qualified technical personnel.**

### - ALL 13 (fig. 27/e)

Press the key  of the controls (2) to re-start the boiler.

**If the error persists, request assistance from qualified technical personnel.**

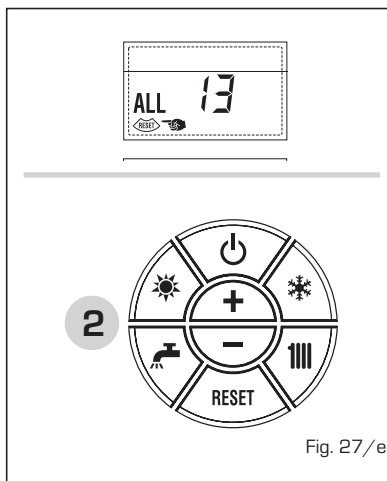


Fig. 27/e

### - ALL 14 and ALL 15

**Request assistance from qualified technical personnel.**

### - "⏏ FLASHING"

If a external sensor(SE) is fitted should it become short circuited the symbol flashes on the display.

During such error the boiler continues to function normally.

**Request assistance from qualified technical personnel.**

### - From "ALL 20" to "ALL 35"

**Request assistance from qualified technical personnel.**

### - ALL 70 and ALL 71

**These alarms appear on the CR 73 remote control display. Request assistance from qualified technical personnel.**

## GAS CONVERSION

If it is necessary to change to a different type of gas, request assistance only from authorised technical personnel.

## MAINTENANCE

**Annual maintenance of the appliance should be planned sufficiently in advance, requesting the assistance of authorised technical personnel.**

**The boiler is supplied complete with a mains cable, which should only be replaced with one of similar dimensions.**







**Sime Ltd**

1a Blue Ridge Park  
Thunderhead Ridge  
Glasshoughton, Castleford, WF10 4UA

Phone: 0845 9011114

Fax: 0845 9011115

[www.sime.co.uk](http://www.sime.co.uk)

Email: [enquiries@sime.co.uk](mailto:enquiries@sime.co.uk)